

### Models

- Phone
- Amplifier
- PagePhone
- WiFi
- Wired

### Options

- Headset
- Relays
- Colors



GAI-TRONICS, world leaders in hazardous area communications, and designers of the world's first IEC/ATEX Zone 1 and UL Division 1 VoIP telephones, introduces the world's first UL Class I Division 2 approved WiFi page phone.

This NEMA 4X weather rated native VoIP device is available as an IP telephone, amplifier or PagePhone with an on-board 30W Class D amplifier.

#### Phone

VoIP telephone models are able to make and receive VoIP SIP protocol point-to-point calls.

#### Amplifier

Amplifier models can receive up to eight (8) Multicast page addresses. Each Multicast address may be part of a page zone destination. The amplifier's 30W Class D amplifier drives an area suitable 8 ohm loudspeaker.

#### PagePhone

Utilized as a PagePhone with a suitable eight ohm (8Ω) loudspeaker connected, the unit combines the SIP telephone functionality with Multicast amplifier paging, offering group paging and point-to-point calling in one package

Wired or WiFi connectivity add to the units flexibility and offers the user multiple combinations for point-to-point and paging communication with a single unit.

#### Models

Wired or WiFi, phone, amplifier or PagePhone, AC, DC or PoE power input models. Headset, color and relay output options.

#### WiFi

WiFi capability enables the device to be free of network cabling, with no home runs, and no star wiring, only local power required.

With unrepeatable line of sight operation of up to 300ft outdoors, the unit can be located within its desired environment and connected to a network connection outside that environment.

802.11 b/g connectivity ensures simple integration into existing VoIP networks.

#### Applications

The Division 2 PagePhone is ideal for fuel depots, petroleum tank farms, coal handling units and refueling areas such as airports and petrochemical loading areas.

# VoIP UL Class I Division 2 Telephone - Amplifier - PagePhone



## Approvals:

- UL & cUL
- Class I, Division 2, Groups A, B, C & D T6
- Class II, Division 2, Groups F & G
- Class III, Division 2

## WiFi: 802.11 b/g Static IP or DHCP

Call Control Signaling: SIP (RFC3261 compliant) loose routing

Redundancy: Supports up to 4 SIP proxies

Monitoring and Reporting: Real-time over TCP/IP Syslog application or email

**Weight:** 12.5 lbs

**Input Power:** 120 / 230VAC or 24-48VDC

**Amplifier Output:** 30W/8ohm

**Enclosure:** Engineered plastic **NEMA 4X**

**Handset:** Carbon loaded ABS body, 6' PVC coiled cord

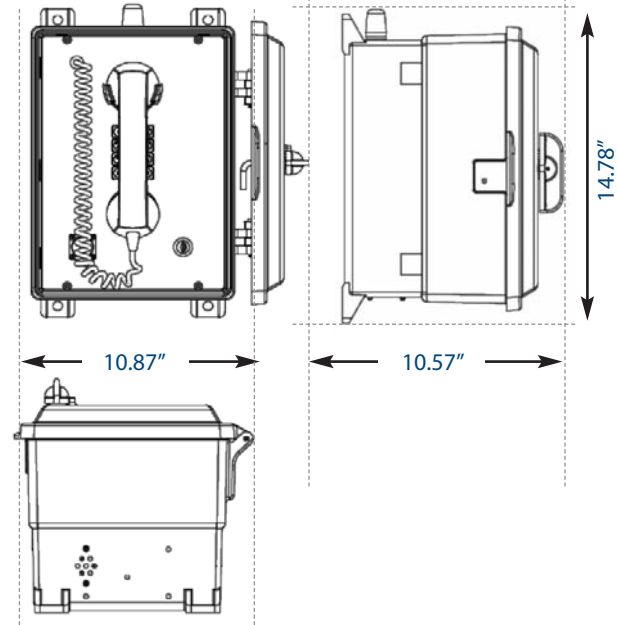
## Multicast Paging

VoIP Multicast is the simultaneous transmission of voice (audio) to multiple destination VoIP devices in a single transmission from the source. VoIP multicast is one-to-many communication over a network.

Each GAI-TRONICS WiFi paging telephone has up to eight (8) prioritized multicast addresses together with its dedicated SIP address. Calling one-to-many enables the user to page up to eight (8) paging groups. Upon lifting the receiver the user reverts to the dedicated SIP address for duplex telephone communication.

## Embedded Web Browser

All GAI-TRONICS model IP telephones come with an embedded web browser enabling full unit programmability for SIP and Multicast Paging, along with operational functionality.



## Models\*:

351-	8	1	4	1	4	0
<b>Connection</b>						
Wired	7					
WiFi	8					
<b>Power</b>						
AC	1					
DC	2					
PoE	3					
<b>Operation</b>						
Amplifier		1				
Amplifier w/ Relay		2				
PagePhone		3				
PagePhone w/Relay		4				
PagePhone w/ Headset		5				
PagePhone w/ Headset & Relay		6				
Phone		7				
Phone w/ Relay		8				
Phone w/ Headset		9				
Phone w/ Headset & Relay		A				
<b>Enclosure Color</b>						
Orange					1	
Gray					2	
Yellow					3	
Red					4	
<b>Handset</b>						
None						0
6' PVC						1
15' PVC						2
6' Hytrel						4
15' Hytrel						5
15" Armored Cord						7
<b>Options</b>						
None						0
Door Spring (SK)						1

\*Not all combinations are available such as PoE WiFi



USA Toll Free: 1 (800) 492-1212 Tel: (610) 777-1374 Fax: (610) 796-5954 www.gai-tronics.com  
 UK Tel: +44 (0)1283 500500 Fax: +44 (0)1283 500400 www.gai-tronics.co.uk  
 Italy Tel: +39 02 48601460 Fax: +39 02 93663110 www.gai-tronics.com  
 Asia Tel: +(65) 6282 2242 (Press 4 for GAI-TRONICS) www.gai-tronics.com  
 Australia Tel: 011-61-28-851-5000 Fax: 011-61-29-899-2490 www.austdac.com.au



Quality Management System Certified by DNV-GL - ISO 9001:2015. The policy of GAI-TRONICS is one of continuous improvement; therefore the company reserves the right to change specifications without notice.



Pub. 160101 Rev. 4/2016